

Features

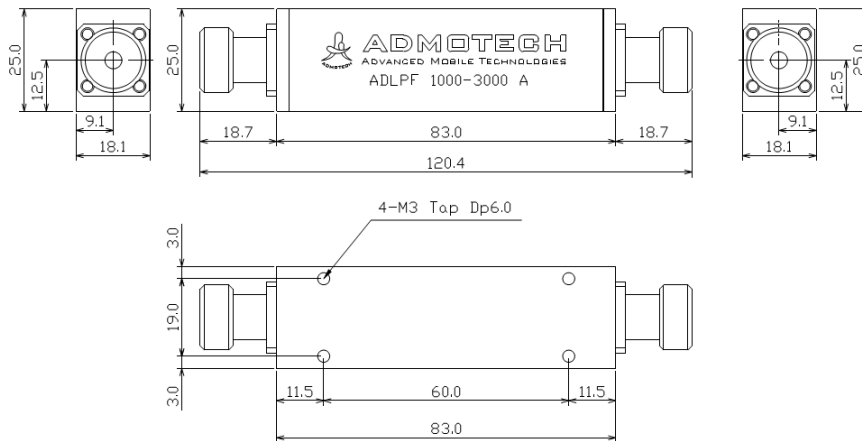
- ADLPF 1000-3000A composed of Low Pass Filter
- Typical 0.3 dB Insertion Loss



Specifications

Parameter	Specifications	Remarks
Frequency Range	1,000 ~ 3,000 MHz	BW : 2,000 MHz
Center Frequency	2,000 MHz	
Insertion Loss (Max.)	0.5 dB	
VSWR (Max.)	1.5 : 1	
Rejection (Min.)	40.0 dBc @ 4.5 ~ 6 GHz	
In/ Out Impedance	50 Ω	
Handling Power (Max.)	CW 400 W	
Operating Temperature	-10 °C ~ +80 °C	
Dimensions	83 * 25 * 18.1 mm	Excluding Connectors
Connector	N-type (Female)	

Outline drawing



Typical Response

